

1

2

3

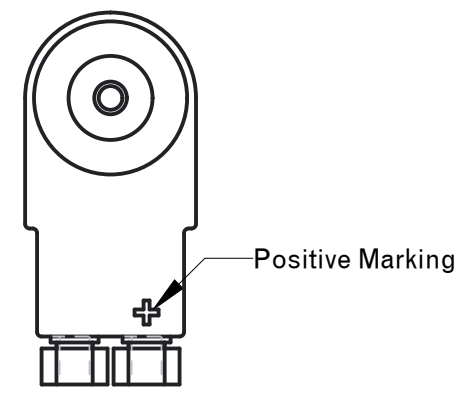
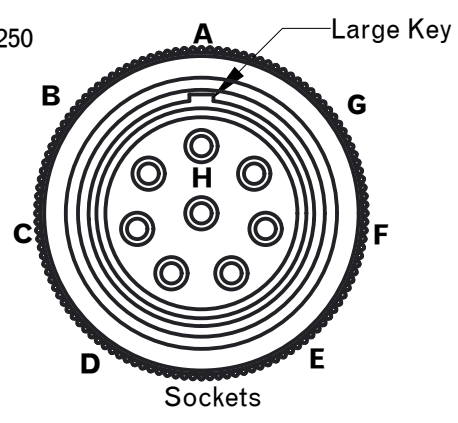
4

SCALE 1.250

SCALE 0.250

REVISIONS

REV	DESCRIPTION	DATE	APPROVED
B	FIXED TOLERANCE PER ECO 12-14565	01/20/12	S SHAW
C	ADDED WEIGHT NOTE PER ECO 15-19289	02/03/15	RGH



A

A

B

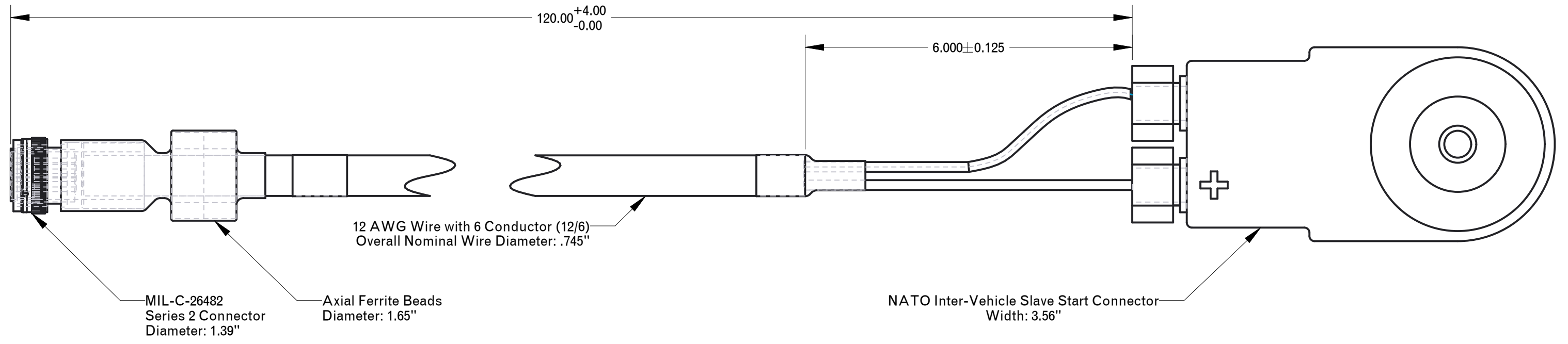
B

C

C

D

D



Pin In #	Wire Color	Label Description	Pin Out #
A	No Connection	No Connection	
B	Black	-V In	Non Marked
C	Blue	-V In	Non Marked
D	Orange	-V In	Non Marked
E	Green	+V In	Positive
F	Red	+V In	Positive
G	White	+V In	Positive
H	No Connection	No Connection	

Notes:
 1. REFERENCE SYNQOR SPECIFICATION: 705-1000058
 2. WEIGHT: 7.45 Lbs. (3.38 Kg)

TOLERANCES: Unless otherwise specified: All dimensions in inches .X +/- .025 .XX +/- .010 .XXX +/- .005 Angles +/- 1°		SynQor 155 Swanson Road Boxborough, MA 01719-1316	
UPS DC Input External Cable (NATO)			
SOURCE: PRO/E DC_INPUT_NATO_EXTERNAL_CABLE			
SIZE B	DATE 02/03/15	DWG. NO. SYN-9154	REV C
SCALE: 0.550		DRAWN: SJS	CHECK: SHEET 1 of 1

1

2

3

4